

REPOWERING

Creating Local Energy



Afsheen Kabir Rashid
Co-founder Director, CEO



Who we are



- **REPOWERING** is a **Community Benefit Society**
- **Creating local energy:**

We specialise in co-producing **community-owned renewable energy projects**

- **Our Vision:**
- To **create resilient, empowered communities** that control and own the generation and usage of renewable energy.



Our work to date

- 300 kW rooftop solar PV
- 8 Coops / BenComs
- £440,000 raised through community shares & donations
- Mentored 40 local volunteers
- Training work experience for 80 local youth
- 1000 residents directly benefitted through fuel poverty programme
- £82,000 towards Community fund
- 3-4% ROI



Training and work experience





North Kensington Community Energy



Supported By

- The Mayor of London
- Royal Borough of Kensington and Chelsea

Environmental

- 86 kWp solar generating capacity installed
- 30 tonnes of CO₂ saved per annum

Social

- Supporting 6-8 local residents through mentoring and coproduction
- 15 young people benefited from training

Financial

- £83,000 raised through community shares
- Provide an average 3% return on investment
- Create a £28,000 Community Fund
- Reduce electricity bills for Schools and Community buildings

REPOWERING LONDON How it works Projects About Get involved News

The share offer is open until 15th March. Invest from £100 to help us bring 86kW of community-owned solar to North Kensington.

North Kensington Community Energy

£41,950
Raised of our £83,000 goal

85 investors

10 days left

[Apply for shares >](#)

About Investors

About this project
LATEST NEWS

Become a voter member





Energy Garden

community energy meets community gardening



objectives

- Improving air quality
- Greening transport corridors
- Community gardening
- Improving biodiversity
- Fund
- Improving health and well being
- Education for young people





New business models & Innovation

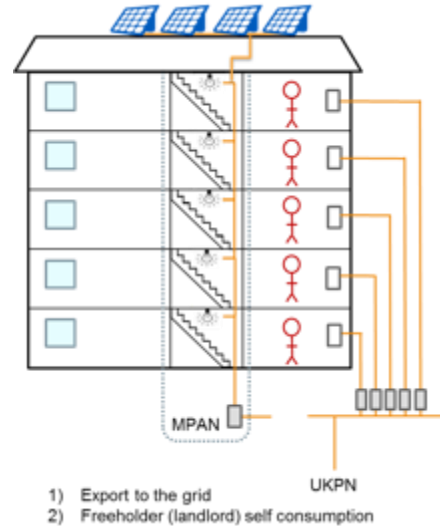
1. Post FIT Models

- High onsite usage
- PPA – sell electricity
- Blended financial instruments

2. Local Electricity Supply

- a. Brixton Energy Local with Coop Energy, Energy Local and 10:10
- b. CommUNITY Ofgem Sandbox trial with EDF & Electron, UCL
- c. Tenant Electricity Exchange trial with Verv

3. Micro Anaerobic Digestion in Brixton





CommUNITY project partners



ofgem

Project selected as a part of the Ofgem Sandbox initiative



Project Lead
EDF Energy R&D UK



University
Social and behaviour aspects
University College of London



Social enterprise (non-profit)
Participant engagement and support

Repowering London

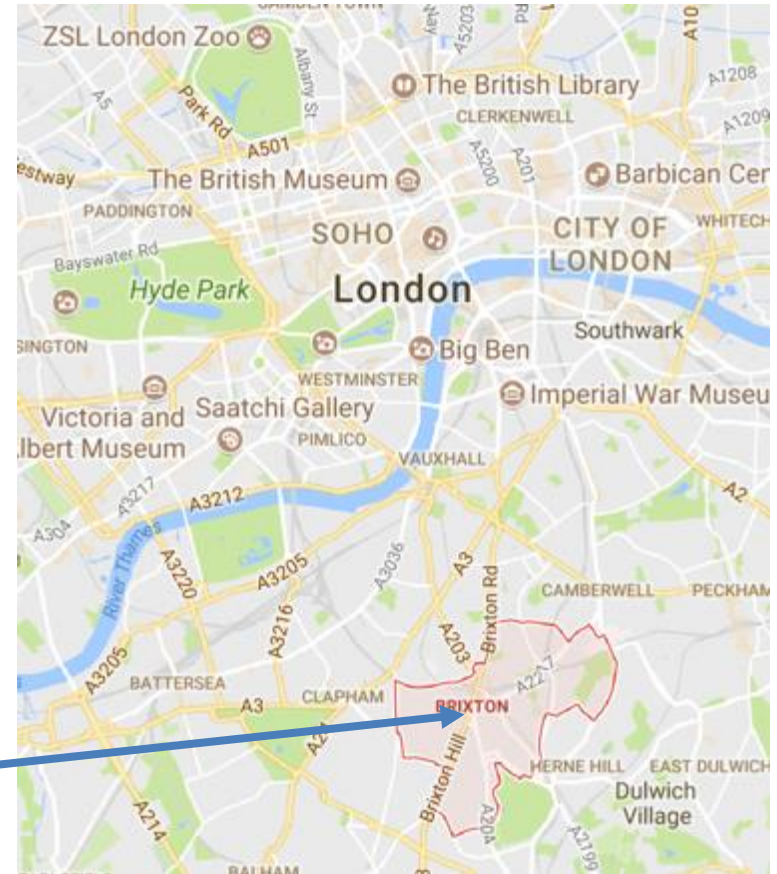


P2P trading algorithms
EDF Energy R&D UK
Metering, billing and commercial arrangement
EDF Energy

Site description



- Brixton, London Borough of Lambeth
- Landlord system: communal lighting and one lift
- Apartments: 62 two-bed properties, pre-pay meters, gas central heating and electric immersion heaters
- Generation: 37kWp PV roof plant supplying landlord load, >90% of power produced is fed back into the distribution grid





CommUNITY concept



- The project is one of three that were accepted in the first round of Ofgem's 'sandbox'
- New meters, ICT and battery storage systems will be installed
- Residents will be able to opt in to be supplied by the electricity generated on-site, as well as grid electricity (as a back up)
- Solar electricity will be priced below imported grid electricity
- Participants will receive a daily allocation of energy which they can choose to self-consume, trade or share with other residents

Social benefits of community P2P model



- Available to households who do not own their own homes or who cannot afford to install solar panels
- Bill savings from on-site generation and battery arbitrage
- Access to future income streams from DSR services
- Increased engagement amongst residents and participation in governance of community benefit society

Legacy=

1. Rewiring the relationship between energy producers and consumers
2. Sustainable pathway for low carbon generation in urban areas



Thanks for your time



Afsheen Kabir Rashid MBE

Co-founder Director & CEO

+44 (0) 7834686264

Afsheen.Rashid@Repowering.org.uk

[@RepowerLondon](https://www.instagram.com/RepowerLondon)